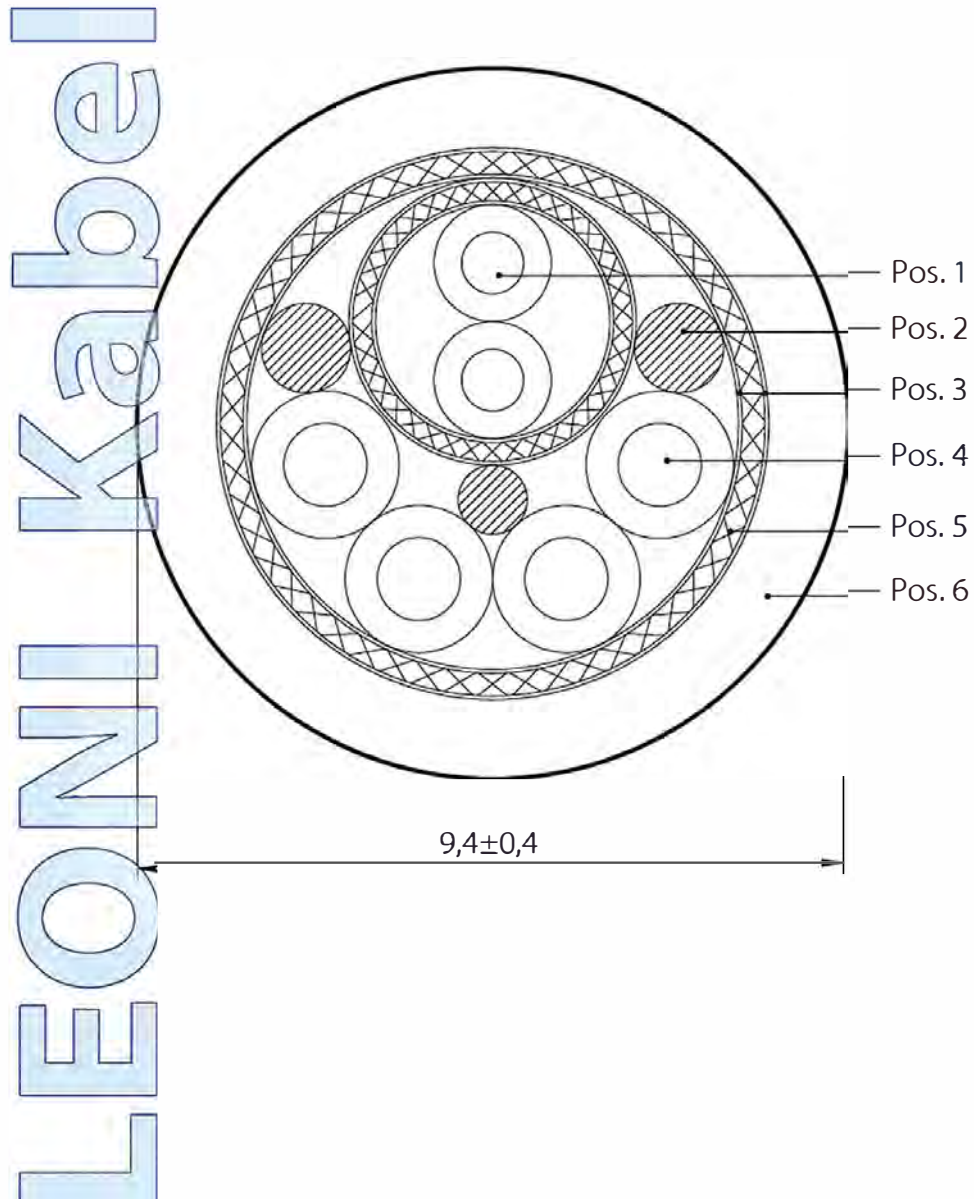


LEONI Part No.:  
**LEHC 004461 Rev.0**

**Construction**



LEONI Part No.:  
**LEHC 004461 Rev.0**

**Cable description**

**Pos. 1 shielded pair 2x0,5 mm<sup>2</sup>**



bare copper, single wire 0,20 mm  
 in accordance to DIN EN 60228 cl. 5 / IEC 60228 cl. 5  
 PP  
 black and white

braiding of tinned copper wires 0,128 mm  
 optical covering min. 85 %

**Pos. 2 filler**



**Pos. 3 tapings**



**Pos. 4 4 insulated wires 0,75 mm<sup>2</sup>**



bare copper, single wire 0,20 mm  
 in accordance to DIN EN 60228 cl. 5 / IEC 60228 cl. 5  
 PP  
 black wires with white marking U/L1/C/L+,  
 V/L2, W/L3/D/L-, greenyellow


**Pos. 5 shielding**



braiding of tinned copper wires 0,15 mm  
 optical covering min. 85 %

**Pos. 6 outer jacket**  
 colour  
 overprint in black with Inkjet





PVC, TM5 in accordance to HD21.1  
 orange mat following RAL 2003  
 LEONI A FieldLink MC LEHC 004461 Rev.0  
 [4x0,75+(2x0,5)] XX/YYYY  
 E47543 c  US AWM STYLE 2570 I/II A/B 80°C 1000V FT-1  
 production week  
 production year  
**9,4 ± 0,4 mm**



LEONI Part No.:  
**LEHC 004461 Rev.0**

**Electrical properties**

operating voltage	Pos. 4	$U_0/U$	0,6/1,0 kV
	Pos. 4 according to 	max.	1000 V
	Pos. 1	max.	24 V
test voltage	Pos. 1 according to 	max.	1000 V
	Pos. 4 conductor/conductor		4,0 kV 50Hz AC
	Pos. 4 conductor/shield		4,0 kV 50Hz AC
	Pos. 1 conductor/conductor		4,0 kV 50Hz AC
	Pos. 1 conductor/shield		4,0 kV 50Hz AC
conductor resistance	Pos. 1	max.	39,0 $\Omega$ /km at +20°C
	Pos. 4	max.	26,0 $\Omega$ /km at +20°C

**Mechanical properties**

bending radius for fixed installation		min.	5 x outside diameter
bending radius for drag chain installation		min.	20 x outside diameter*
acceleration		max.	2 m/s <sup>2</sup>
traversing speed		max.	30 m/min
bendings in drag chains		min.	100.000
torque at a length of 1000 mm		max.	± 30 degree
horizontal length of the cable		max.	5 m
total weight		nom.	140 kg/km

**Thermal Properties**

treatment and installation		0°C up to +60°C
transport and stocking		-20°C up to +80°C
operating for fixed installation		-20°C up to +80°C
operating for drag chain installation		0°C up to +60°C
short cut		max. +150°C (≤ 5 sec.)

LEONI Part No.:  
**LEHC 004461 Rev.0**

**Chemical properties**

oil resistant TM5 in accordance to DIN VDE 0281 part 1 / HD21.1S4 (test method to EN60811-2-1)  
flame retardant in accordance to UL 1581 Vertical Wire Flame Test (VW-1)  
flame retardant in accordance to CSA C22.2 Vertical Flame Test (FT-1)  
flame retardant in accordance to IEC 60332-1-2  
free of silicon and PVC



The cable corresponds to EU – directive 2002/95/EG (RoHS)

**Standard**

UL Subject 758; Style 2570 and CSA - C22.2 No. 210



E 47543

**Cable is approved to UL Style 2570 80°C 1000V VW-1 and cUL AWM I/II A/B 80°C 1000V FT-1**

LEONI